

RCFM22 LED Racquetball Court Frame Out 2x2



| | |
|---------|--------------|
| Project | |
| Type: | Approved By: |

APPLICATIONS

Racquetball, squash and handball courts. gymnasiums, multi-sport and recreational court facilities with recessed hard ceilings.

CONSTRUCTION

.040" white pre-painted aluminum, flush fit trim, obscured tempered glass lens, top access plate for quick power connection.

MOUNTING

Frame out for recessed hard ceiling openings. Custom housing dimensions available. Please consult factory.

SYSTEM SPECIFICATIONS

Hi flux linear LED modules, CRI > 80, CCT: 3500K, 4000K or 5000K. Constant current LED power supplies, power factor > 0.9, THD < 20%, universal voltage 120-277v, 347-480v available.

DIMMING & CONTROLS

Low voltage 0-10v dimming, dim to off or dim by line voltage. Motion sensor, Magnum Enocean wireless protocol, A/B array switching, emergency driver battery back-up option.

RATINGS & WARRANTY

Temperature rated from -28°C to 50°C (-20°F to 122°F), service life > 100,000 hours (L90), CSA and DLC listed, TAA/BAA Compliant, RoHS compliant, 5 year product warranty.

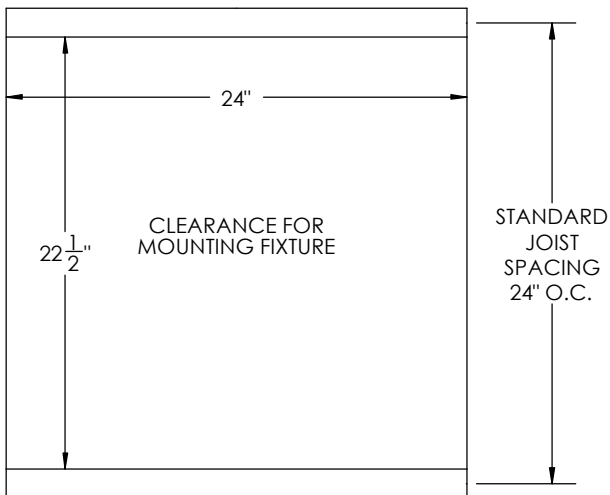
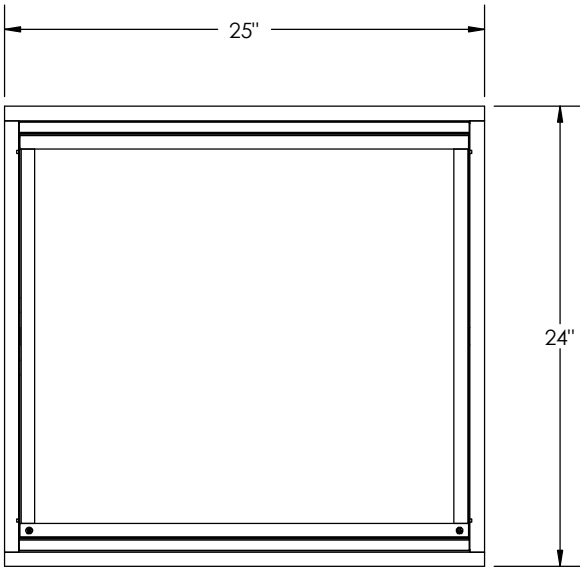
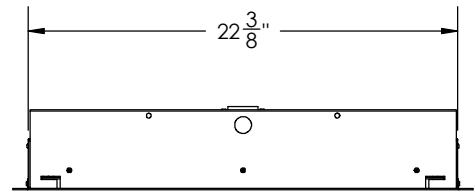
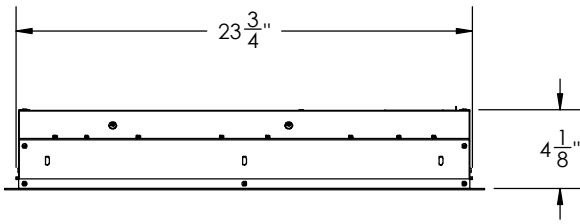
| Lumen ID | CCT | Wattage | Delivered Lumens | LPW |
|----------|-----|---------|------------------|-----|
| 12000 | 35K | 84 | 10,649 | 127 |
| 12000 | 40K | 84 | 10,746 | 128 |
| 12000 | 50K | 84 | 11,254 | 134 |
| 17000 | 35K | 118 | 14,473 | 123 |
| 17000 | 40K | 118 | 14,904 | 126 |
| 17000 | 50K | 118 | 15,881 | 135 |
| 19000 | 35K | 139 | 16,476 | 120 |
| 19000 | 40K | 139 | 17,394 | 125 |
| 19000 | 50K | 139 | 17,412 | 125 |

Ordering Information

| RSD | RCFM22 | | | | | |
|-----------------------------------|------------------------------------|--|-------------------|--|--------------------------------------|--|
| Series | Housing | Lumen ID | CCT | Lens | Voltage | Dimming / Controls / Accessories |
| 1st Source LED Recessed Series | Racquetball Court Frame Out 2x2 | 12000 = 12,000 17000 = 17,000 19000 = 19,000 | 35K 40K 50K | OTG = Obscured Tempered Glass | U = 120-277v 3 = 347v 4 = 480v | D0 = Dim to Off D10 = Dim to 10% DLV = Dim by Line Voltage MS = Motion Sensor A/B = A/B Switching WCM = Wireless Control EM = Emergency Driver |

All fixtures are made in the USA
"Our mission is BAA/TAA compliance"





| | | | |
|-------------------------|--|--|---------------|
| TITLE: RCFM22 | | | |
| 3RD ANGLE PROJ: | | FILE LOCATION: \\ | |
| UNLESS OTHERWISE NOTED: | | SHEET: 1 of 1 | SCALE: 1:10 |
| SIZE: A | UNITS: INCHES GD&T ASME Y14.5M-1994 | TOLERANCES: .X ±.06 .XX ±.03 .XXX ±.010 ∠ ±1.0° | DRAWN BY: JMG |
| | | DATE: 6/29/2018 | JO: XXXX |
| | | DWG #: RCFM22 DIMENSIONS | REV: N/C |