

RCxx22

LED High Lumen Recessed Troffer
2x2 For Grid or Hard Ceilings



Project :	
Type:	Approved By:

APPLICATIONS

Production and manufacturing facilities, schools, hospitals, multi-purpose rooms, gymnasiums, industrial and commercial office applications.

CONSTRUCTION

.040" white pre-painted aluminum, clear acrylic or diffused high impact DA92 lens. Top access plate for quick power connection.

MOUNTING

Lay-in for grid ceilings, frame out or flange mount for hard ceilings. Consult factory for custom mounting and dimensions.

SYSTEM SPECIFICATIONS

Hi flux linear LED modules, CRI > 80, CCT: 3500K, 4000K or 5000K. Constant current LED power supplies, power factor > 0.9, THD < 20%, universal voltage 120-277v, 347-480v available.

DIMMING & CONTROLS

0-10v dimming, dim to off or dim by line voltage. Integrated microwave motion sensor, wireless protocol from switch, PC or handheld device, A/B switching, daylight harvesting, emergency driver battery back-up.

RATINGS & WARRANTY

Temperature rated from -28°C to 50°C (-20°F to 122°F), service life > 100,000 hours (L90). CSA and DLC listed, BAA compliant. Made in the USA. 5 year product warranty. Consult factory for extended warranties.

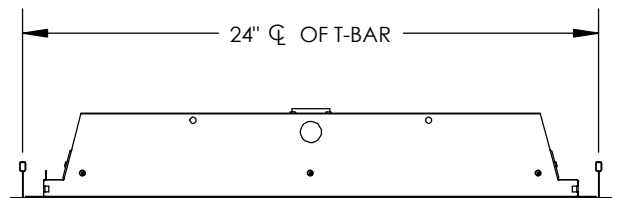
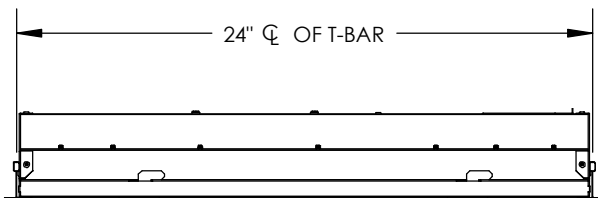
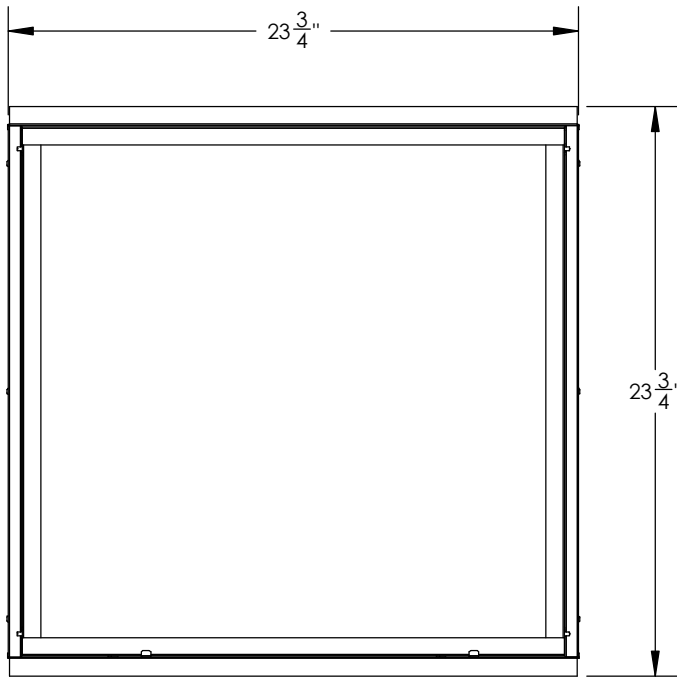
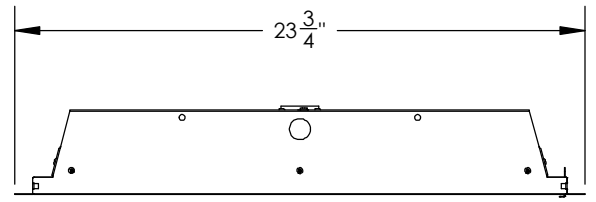
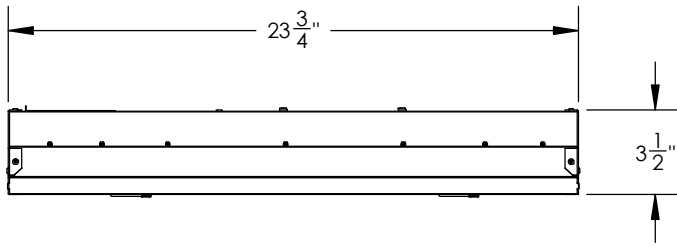
LENS OPTIONS & DELIVERED LUMENS

Part ID	Wattage	CCT	Clear Lens	LPW	Diffused Lens	LPW
12000	84	35K	11,859	141	11,809	141
12000	84	40K	12,129	145	12,077	144
12000	84	50K	12,533	149	12,480	149
17000	118	35K	16,274	138	16,126	137
17000	118	40K	16,672	141	16,520	140
17000	118	50K	17,198	146	17,042	145
19000	139	35K	19,024	150	18,756	135
19000	139	40K	19,457	141	19,182	138
19000	139	50K	20,105	145	19,821	143

Ordering Information

RSD						
Series	Housing	Part ID	CCT	Lens	Voltage	Dimming, EM, Controls
1st Source LED Recessed Series	RCTB22 = Lay-In For For T-Bar Grid Ceiling RCFM22 = Frame Out For Hard Ceiling RCFL22 = Flange Mount For Hard Ceiling	12000 = 12,000 17000 = 17,000 19000 = 19,000	35K 40K 50K	AC = Acrylic Clear DAC = Diiffused DA92	U = 120-277v 3 = 347v 4 = 480v	D0 = Dim to Off D10 = Dim to 10% DLV = Dim by Line Voltage Emergency Drivers EM/2300 = 2,300L @ 16w EM/2900 = 2,900L @ 20w Controls (Consult Factory) Integrated Motion Sensor Daylight Harvesting A/B Array Switching Wireless Control System



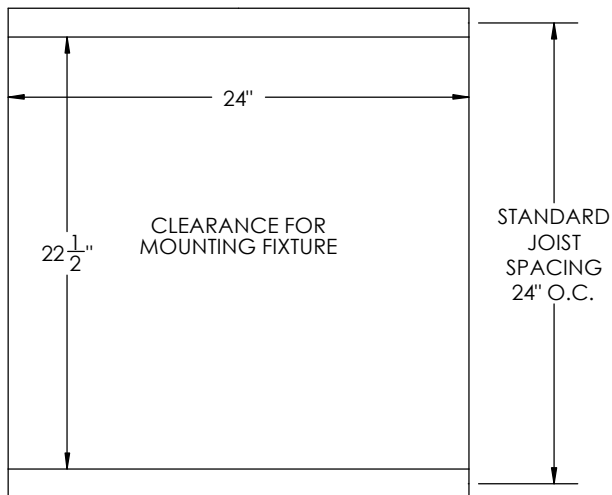
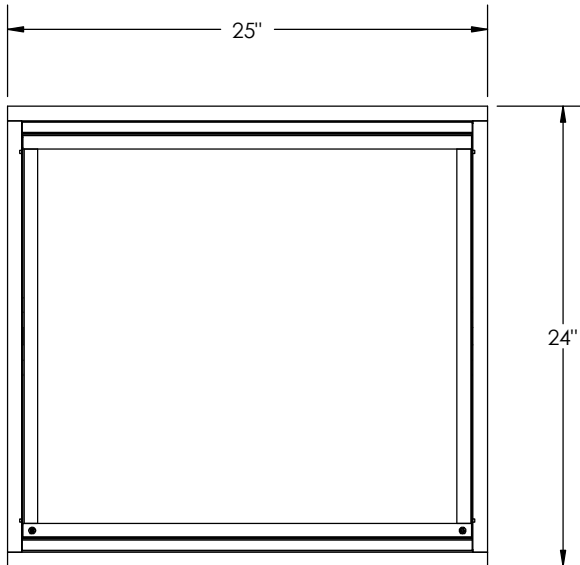
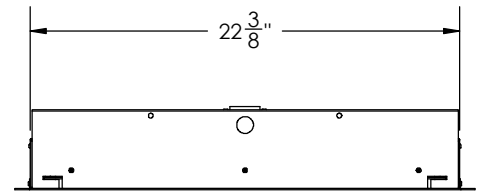
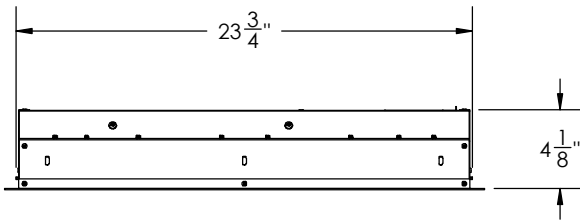


TITLE: RCTB22			FILE LOCATION: \\		
3RD ANGLE PROJ:			UNLESS OTHERWISE NOTED:		
SIZE: A	UNITS: INCHES GD&T ASME Y14.5M-1994	TOLERANCES: .X ±.06 .XX ±.03 .XXX ±.010 ∠ ±1.0°	SHEET: 1 of 1	SCALE: 1:8	DRAWN BY: JMG
			DATE: 6/29/2018	JO: XXXX	REV: N/C
			DWG #: RCTB22 DIMENSIONS		

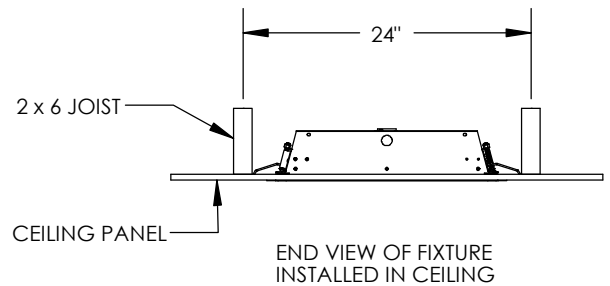
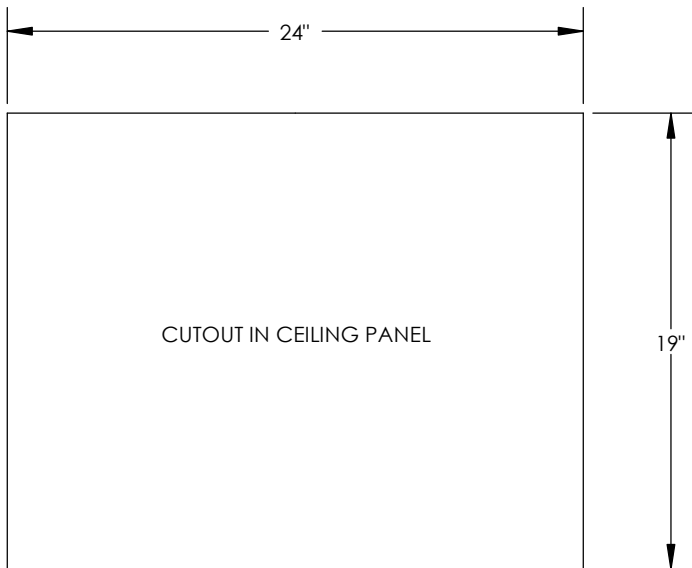
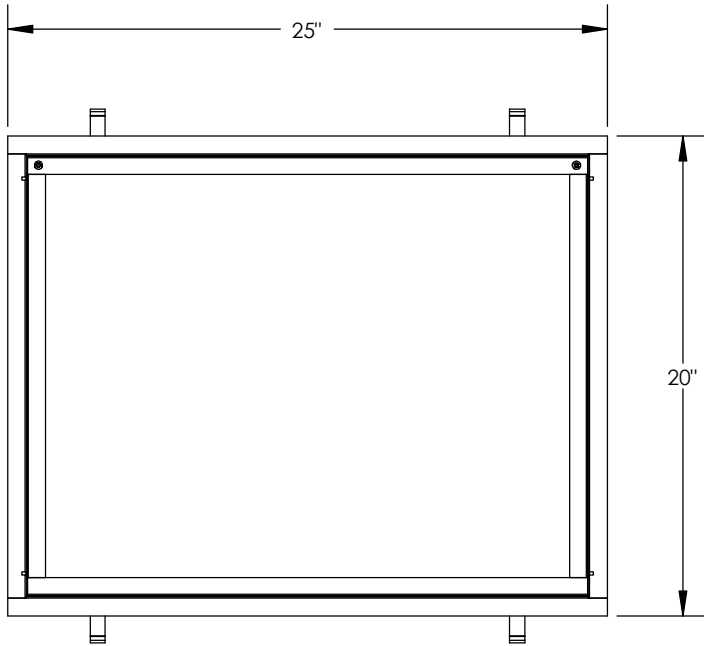
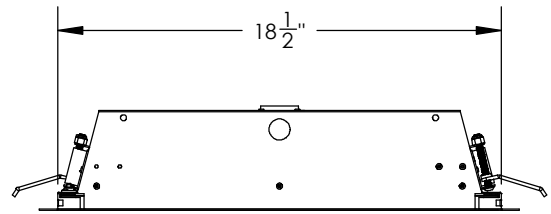
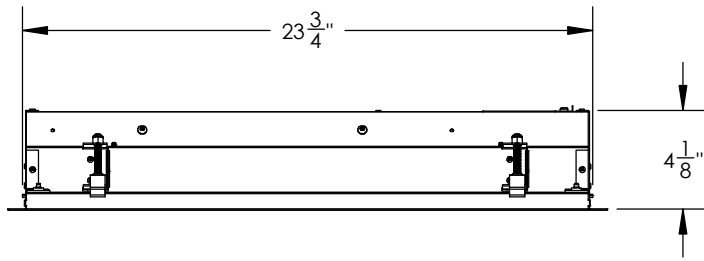


1730 Industrial Drive, Auburn, CA 95603
 (530) 887-1110 FAX (530) 887-0807
 www.1stsourcelight.com

PROPRIETARY AND CONFIDENTIAL
 THE INFORMATION CONTAINED IN THIS DRAWING
 IS THE SOLE PROPERTY OF 1ST SOURCE LIGHTING.
 ANY REPRODUCTION IN PART OR AS A WHOLE
 WITHOUT THE WRITTEN PERMISSION OF
 1ST SOURCE LIGHTING IS PROHIBITED.



TITLE: RCFM22			
3RD ANGLE PROJ:		FILE LOCATION: \\	
UNLESS OTHERWISE NOTED:		SHEET: 1 of 1	SCALE: 1:10
SIZE: A	UNITS: INCHES GD&T ASME Y14.5M-1994	TOLERANCES: .X ±.06 .XX ±.03 .XXX ±.010 ∠ ±1.0°	DRAWN BY: JMG
		DATE: 6/29/2018	JO: XXXX
DWG #: RCFM22 DIMENSIONS			REV: N/C



TITLE: RCFL22			FILE LOCATION: \\		
3RD ANGLE PROJ:			UNLESS OTHERWISE NOTED:		
SIZE: A	UNITS: INCHES GD&T ASME Y14.5M-1994	TOLERANCES: .X ±.06 .XX ±.03 .XXX ±.010 ∠ ±1.0°	SHEET: 1 of 1	SCALE: 1:8	JO: XXXX
			DRAWN BY: JMG	DATE: 6/3/2019	REV: N/C
			DWG #: RCFL22 DIMENSIONS		